



Recommended

working pressure:	4 - 10 bar (58 - 145 psi)
Cleaning diameter:	max. 33 m (108 ft)
Flow rate:	14.2 - 47.4 m ³ /h (236 - 790 l/min / 62.3 - 208.7 USgpm)
Spray angle:	360°
Operating temperature:	max. 95 °C (203 °F)
Ambient temperature:	max. 140 °C (284 °F), 30 min
Insertion opening:	min. Ø 250 mm (9.84 in)
Materials:	stainless steel 316L (1.4404), C-PTFE or PTFE
Weight:	approx. 4.6 kg (10.1 lbs)
Preferred mounting position:	any

- Large powerful jetting cleaner
- High flow rates
- Self-cleaning
- High spray dwell time
- Similar to Typhoon, Tempest, Tornado for maintenance purposes

Approx. cycle times

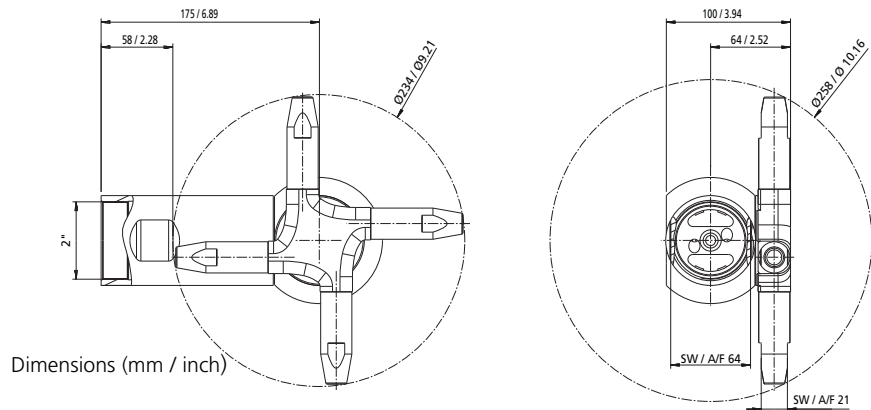
Pressure	Nozzles Ø				
	8 mm	9 mm	10 mm	11 mm	12 mm
4 bar	9 min 45 s	6 min 20 s	7 min 15 s	8 min 45 s	8 min 15 s
6 bar	7 min 30 s	5 min 15 s	5 min 15 s	7 min 15 s	6 min 30 s
8 bar	6 min 30 s	4 min 45 s	4 min 30 s	6 min 30 s	6 min 15 s
10 bar	5 min 45 s	4 min 30 s	4 min 15 s	5 min 30 s	5 min 30 s

Version 1

	Part number	Version 1	Part number
2" BSP / 8 mm nozzles / C-PTFE ²	4660-4980-115	2" NPT / 8 mm nozzles / C-PTFE ²	4660-4980-119
2" BSP / 9 mm nozzles / C-PTFE ²	4660-4980-114	2" NPT / 9 mm nozzles / C-PTFE ²	4660-4980-120
2" BSP / 10 mm nozzles / C-PTFE ²	4660-4980-113	2" NPT / 10 mm nozzles / C-PTFE ²	4660-4980-121
2" BSP / 11 mm nozzles / C-PTFE ²	4660-4980-132	2" NPT / 11 mm nozzles / C-PTFE ²	4660-4980-134
2" BSP / 12 mm nozzles / C-PTFE ²	4660-4980-138	2" NPT / 12 mm nozzles / C-PTFE ²	4660-4980-140
2" BSP / 8 mm nozzles / PTFE	4660-4980-116	2" NPT / 8 mm nozzles / PTFE	4660-4980-122
2" BSP / 9 mm nozzles / PTFE	4660-4980-117	2" NPT / 9 mm nozzles / PTFE	4660-4980-123
2" BSP / 10 mm nozzles / PTFE	4660-4980-118	2" NPT / 10 mm nozzles / PTFE	4660-4980-124
2" BSP / 11 mm nozzles / PTFE	4660-4980-133	2" NPT / 11 mm nozzles / PTFE	4660-4980-135
2" BSP / 12 mm nozzles / PTFE	4660-4980-139	2" NPT / 12 mm nozzles / PTFE	4660-4980-141

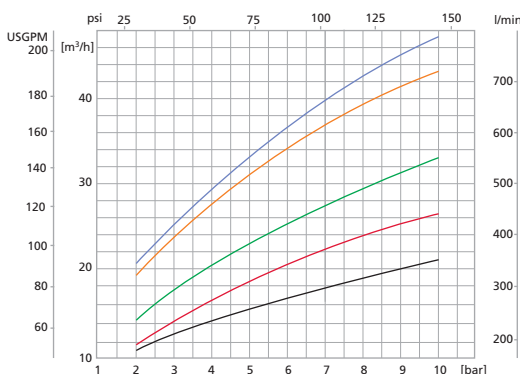
¹ optional with Pin Fix connection

² suitable for use in potentially explosive atmospheres



Dimensions (mm / inch)

Flow Rate versus Working Pressure



Cleaning / Wetting Diameter

